

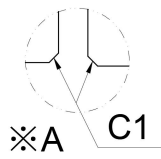
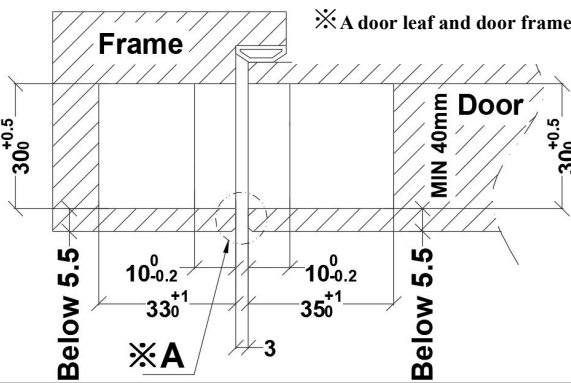
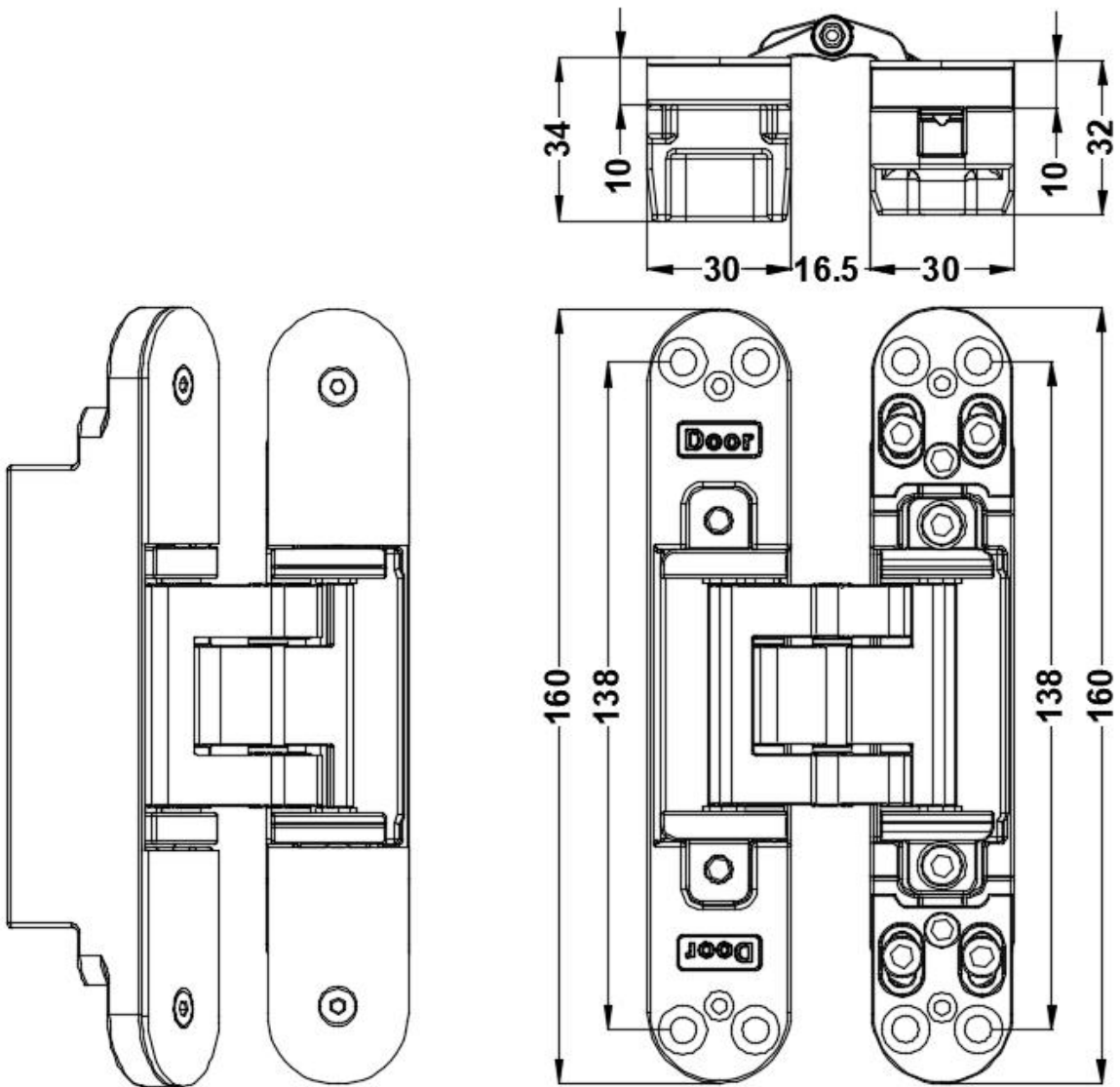


Installation instructions

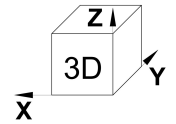
i

Stainless Steel Hidden Hinge

Material: SUS304




**Maximum
 Weight
 120KG**



Left and right adjustment: +3.5/-2.0mm
 Up and down adjustment: ±3.0mm
 Front and rear adjustment: ±1.0mm



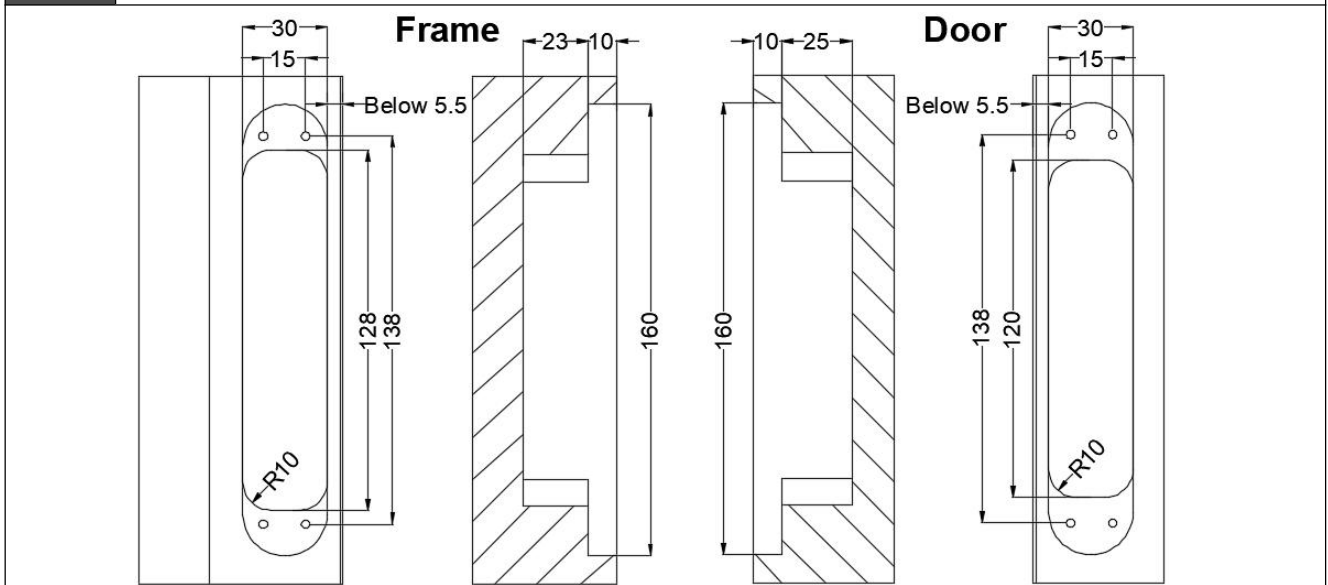
Packing case includes: 2 hinges, 16 wood screws with Ø 5x40mm, 1 installation manual



Installation instructions

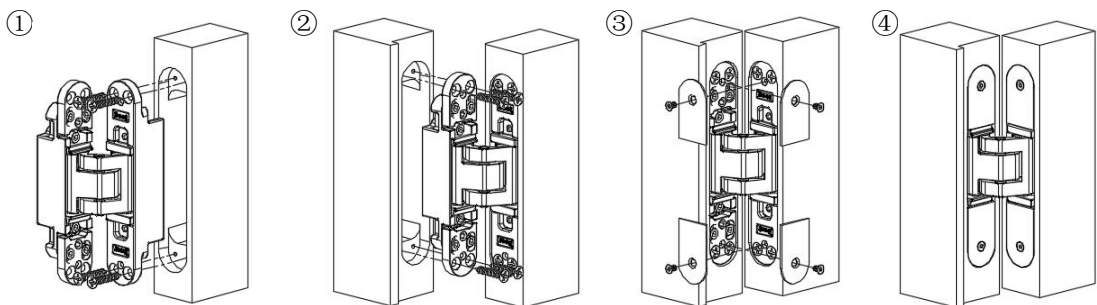
1

Slot the door leaf and frame as shown in the figure below.



2

1. As shown in Figure ①, install the edge marked "Door" in the opening hole of the door, and use a Phillips screwdriver to put the product into the door.
2. As shown in Figure ②, install the corresponding position of the door fan installed with the product in the door frame that has been opened, and tighten it with a Phillips screwdriver.
3. After installation and commissioning, ensure that the hinge is firm and stable. The hinge surface should be flush with both sides of the door leaf and frame.



4. Open and close it repeatedly to check and ensure that it can be used normally.
5. Pay attention to the daily maintenance of the hinge and keep it clean. Apply a small amount of lubricant to the hinge.

3

Adjustment function schematic:

Left and right adjustment: Use hexagonal key to A/A ' adjust, counterclockwise to increase the door gap, clockwise to reduce the door gap (note: adjustment must be synchronized!);

Front and rear adjustment: counterclockwise to B/B 'screws loose, can be adjusted, adjusted After the lock;

Up and down adjustment: reverse the D/D 'fixing screw clockwise loose, using hexagonal key through C/C ' adjust and fix D/D 'after adjustment Set screws to lock.

